

# Installation Instructions

**F18**

For Beacon Hall Robe Hook 84-3001

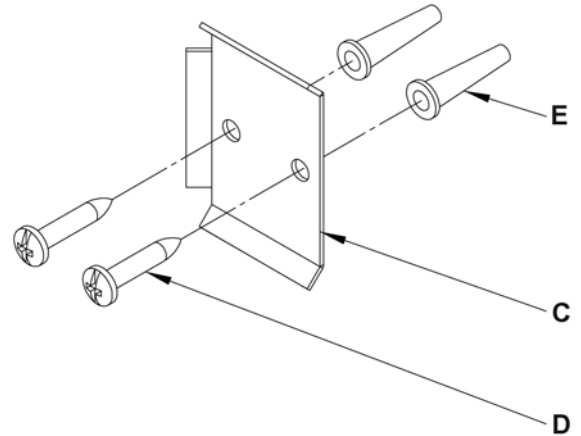
**CAUTION:** FAILURE TO INSTALL THIS PRODUCT PROPERLY MAY RESULT IN PERSONAL INJURY OR PROPERTY DAMAGE. We recommend installation by a qualified individual trained in the building trade. This product must be installed in accordance with applicable installation code(s), by a person familiar with the construction and operation of the product and the hazards involved.\*

## To Install

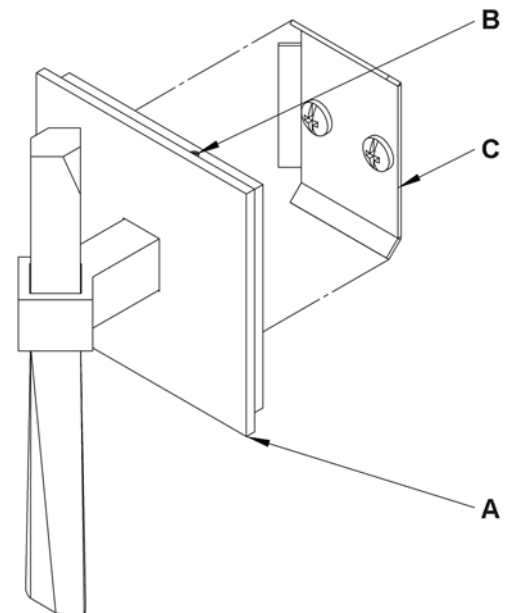
### Component Parts

- |   |                  |   |                  |
|---|------------------|---|------------------|
| A | Robe Hook        | D | Screws (2)       |
| B | Set Screw (2)    | E | Wall Anchors (2) |
| C | Wall Mount Plate |   |                  |

1. Locate area robe hook (A) is going to be mounted and mark center location.
2. Hold wall mount plate (C) in location it is to be mounted. With a pencil, mark the location of the mounting holes in the wall mount plate (C) on the wall behind making sure it is straight and level.
3. Put the wall mount plate down and drill 1/4" holes in the locations marked on the wall if wall anchors (E) are to be used. **If directly attaching to a solid support the drilled hole is not needed.** For holes using anchors, place the tapered end of the anchors (E) into the holes and gently tap them flush to the wall using a light weight hammer.
4. Install screws (D) through wall mount plate (C) and into each anchor (E). **If anchors are not needed the screws (D) can be installed directly to the wall.**
5. Loosen the two set screws (B) located in the top and bottom for the robe hook (A). Screws are shipped installed.
6. Slip robe hook (A) onto wall mount plate (C) so one of the sides slips onto the angled tab and sits flat against the wall.
7. Tighten set screws (B) on top and bottom of robe hook (A) until against wall mount plate (C).



(Figure 1)



(Figure 2)

*If you need further assistance, or find that you are missing any parts, please contact the dealer from which you purchased this product. We hope you enjoy your fixture!*

\* Hubbardton Forge will not be liable for injury or damage caused by improper installation or use of this fixture.