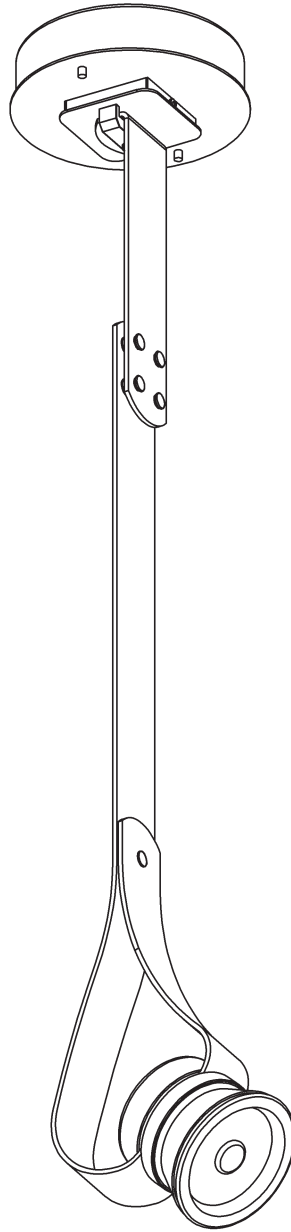


# ASSEMBLY & INSTALLATION INSTRUCTIONS

A1046

Snaps Cone Pendant 401848

---



**Component Parts**

<b>A</b>	<b>Cover Plate</b>	<b>T</b>	<b>LED Stud</b>
<b>B</b>	<b>Canopy</b>	<b>U</b>	<b>Knob (2)</b>
<b>C</b>	<b>Barrel Knobs (2)</b>	<b>V</b>	<b>LED Board (2)</b>
<b>D</b>	<b>Ground Screw</b>	<b>W</b>	<b>Housing</b>
<b>E</b>	<b>Cupped Washer</b>	<b>X</b>	<b>Glass (2)</b>
<b>F</b>	<b>Standoffs (2)</b>	<b>Y</b>	<b>Frosted Lens (2)</b>
<b>G</b>	<b>Remote Driver Can</b>	<b>Z</b>	<b>Metal Cone</b>
<b>H</b>	<b>Bracket</b>	<b>AA</b>	<b>Glass Cone</b>
<b>I</b>	<b>#8 Screws</b>	<b>AB</b>	<b>Toggle Anchor</b>
<b>J</b>	<b>Short Screws</b>	<b>AC</b>	<b>2" Stud</b>
<b>K</b>	<b>Knurled Screw</b>	<b>AD</b>	<b>Hook</b>
<b>L</b>	<b>Cover</b>	<b>AE</b>	<b>Wood Stud</b>
<b>M</b>	<b>Nut (2)</b>	<b>AF</b>	<b>Short Knurled Screw</b>
<b>N</b>	<b>Anchors</b>	<b>AG</b>	<b>Cap</b>
<b>O</b>	<b>#10 Screws</b>		
<b>P</b>	<b>Small Leather Strap</b>		
<b>Q</b>	<b>Large Leather Strap</b>		
<b>R</b>	<b>Female Snap (4)</b>		
<b>S</b>	<b>Male Snap (4)</b>		

## Snaps Cone Pendant 401848

**CAUTION: FAILURE TO INSTALL THIS FIXTURE PROPERLY MAY RESULT IN SERIOUS PERSONAL INJURY OR DEATH AND PROPERTY DAMAGE.** We recommend installation by a licensed electrician. This product must be installed in accordance with applicable installation code(Q), by a person familiar with the construction and operation of the product and the hazards involved.

Please Note: After installation extra hardware and accessories are possible; our kits are used on multiple products.

### To Install Fixture Using Standard Canopy (Figure 1)

**CAUTION: BE SURE POWER IS OFF AT THE MAIN BREAKER BOX PRIOR TO INSTALLATION.**

1. Carefully unpack all components from the carton.

**NOTE:** To install fixture using the remote driver canopy - please skip to page 4 to start installation.

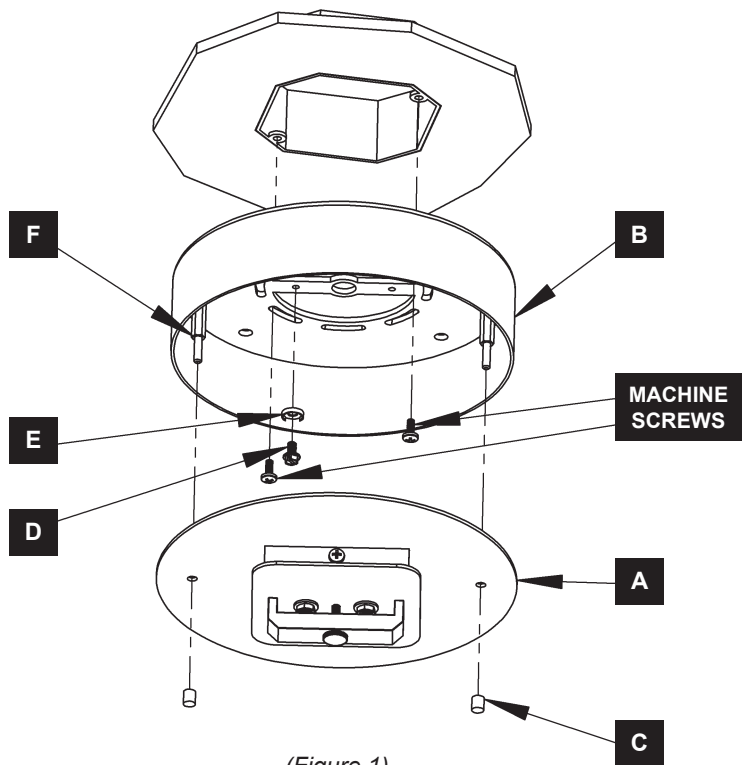
2. Locate canopy (B) and unscrew barrel knobs (C) to remove from cover plate (A). Retain for later step.
3. Thread wires in electrical box through hole in canopy (B) while moving canopy (B) into position. Using two machine screws (not provided) fasten canopy (B) to the electric box.

**Note:** A new electric box comes with screws. When replacing a fixture, retain the existing screws for use with the new fixture.

4. Attach a pigtail lead to the canopy (B) using the ground screw (D) and cupped washer (E) found in kit bag.
5. Hold cover plate (A) close to canopy (B). Using suitable wire connectors (not provided), connect driver wires to supply wires (white to white and black to black). Connect all ground wires (bare copper or green to bare copper or green) together.

**CAUTION: MAKE SURE WIRE CONNECTORS ARE TWISTED ON SECURELY, AND NO BARE WIRE IS EXPOSED.**

6. Raise cover plate (A) to canopy (B). Align holes in cover plate (A) with standoffs (F) and secure with barrel knobs (C).
7. Follow steps on page 5 to continue installation.



(Figure 1)

## Snaps Cone Pendant 401848

**CAUTION: FAILURE TO INSTALL THIS FIXTURE PROPERLY MAY RESULT IN SERIOUS PERSONAL INJURY OR DEATH AND PROPERTY DAMAGE.** We recommend installation by a licensed electrician. This product must be installed in accordance with applicable installation code(Q), by a person familiar with the construction and operation of the product and the hazards involved.

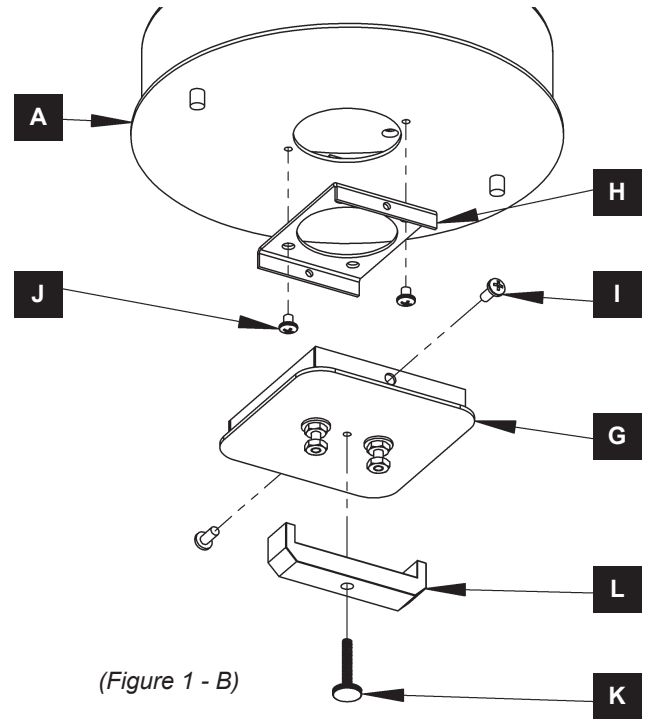
Please Note: After installation extra hardware and accessories are possible; our kits are used on multiple products.

### To Install Remote Driver Canopy (Figure 1 - B)

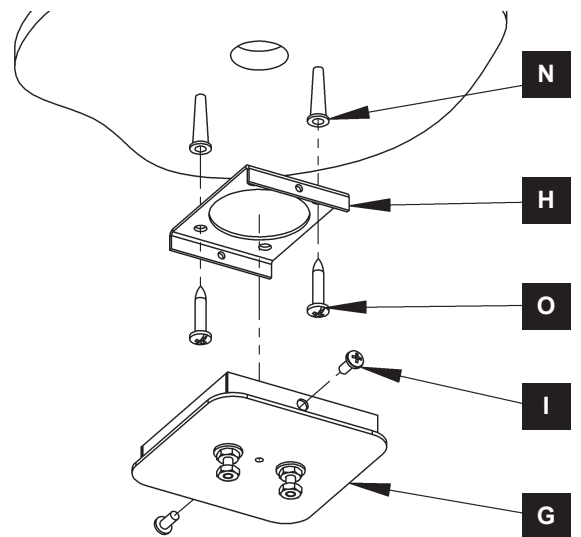
1. Locate remote driver canopy (G)
2. Remove knurled screw (K) and cover (L). Retain parts for later use.
3. Remove (2) #8 screws (I) and separate remote driver can (G) from cover plate (A) assembly.
4. Remove (2) short screws (J) and remove bracket (H) from cover plate (A).
5. Position the bracket (H) on ceiling. Orient fixture to desired hanging position and mark the location of (2) mounting holes on the ceiling. Set the bracket aside.
6. Drill 1/4" holes in the locations marked on the ceiling where anchors are to be used. Place the tapered end of anchor (N) into the hole and gently tap them flush to the ceiling using a light weight hammer.
7. Place bracket (H) over anchors (N). Thread #10 screws (O) into anchors (N).
8. Hold remote can (G) close to ceiling. Using suitable wire connectors (not provided), connect wires to driver wires (red to red and blue to blue). Connect all ground wires (bare copper or green to bare copper or green) together.

**CAUTION: MAKE SURE WIRE CONNECTORS ARE TWISTED ON SECURELY, AND NO BARE WIRE IS EXPOSED.**

9. Raise remote can (G) to bracket (H). Re-install both #8 screws (I) and tighten to secure can (G).
10. Follow steps on next page to continue installation.



(Figure 1 - B)



(Figure 1 - C)

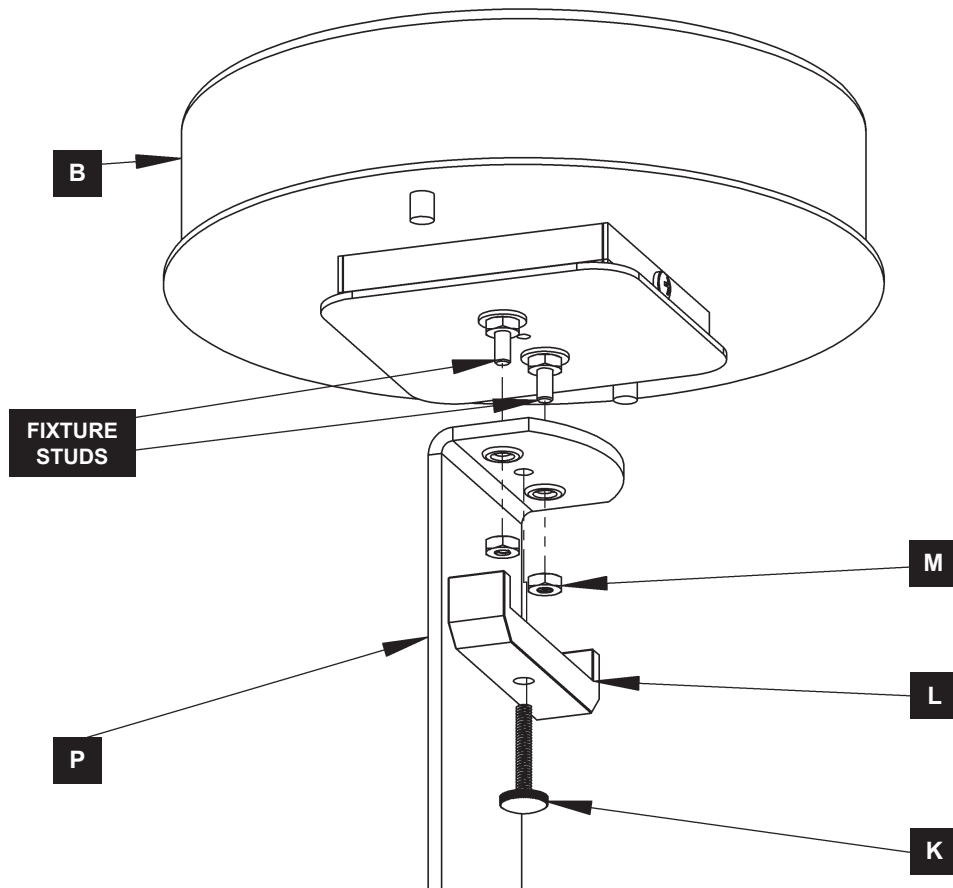
## Snaps Cone Pendant 401848

### To Install Leather To Canopy (Figure 2)

1. Locate small leather strap (P).
2. If not previously completed - Remove knurled screw (K) from canopy (B), then remove cover (L) and two nuts (M) from fixture studs. Retain these parts for later use.
3. Align holes in small strap (P) with fixture studs and secure with nuts (M).

**Caution:** *Be sure to tighten as this creates an electrical connection.*

4. Reattach cover (L) by threading knurled screw (K) into canopy (B). Knurled screw (K) should align with center hole of leather strap (P).
5. Follow steps on next page to attach additional leather strap.

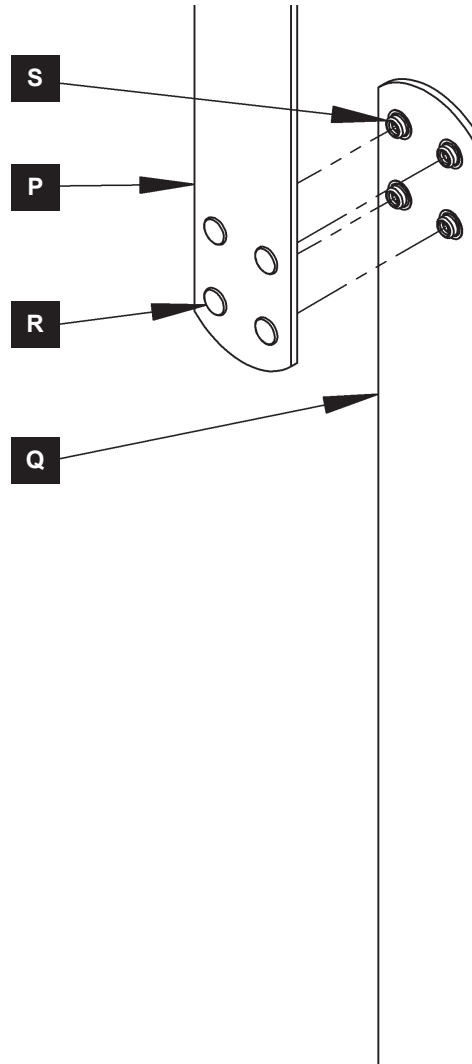


(Figure 2)

## Snaps Cone Pendant 401848

### To Connect Leather Straps *(Figure 3)*

1. Align female snaps (R) on small leather strap (P) with male snaps (S) on large strap (Q).
2. Press firmly to lock all snaps (R & S) together.
3. Follow steps on next page to install LED Boards & Glass.

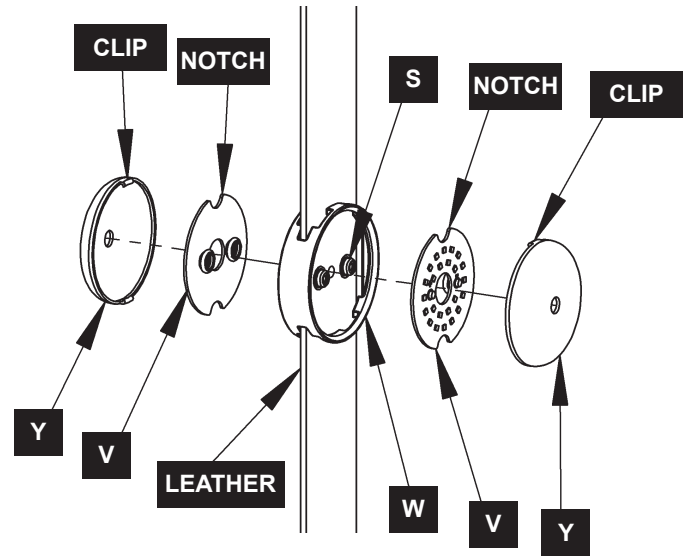


*(Figure 3)*

## Snaps Cone Pendant 401848

### To Install Glass (Figures 4 & 4B)

1. Locate lenses (Y), housings (W) and LED boards (V).
2. Slide housing (W) over leather strap (Q) and center over male snaps (S).
3. Locate (+) side of fixture/leather strap. Align (+) side of LED board (V) with leather strap and pop led board onto snaps. Be sure both snaps on board engage fully.
4. Repeat steps for LED board (V) on opposite side, being sure (+) side is aligned with (+) side of fixture/leather strap (Q).
5. Locate lenses (Y). Align clip on lens (Y) with notch in LED board (V). Insert clip into notch and rotate lens (Y) until it engages with LED board (V). Repeat for remaining lens (Y).



(Figure 4)

6. Carefully unpack glass (X), metal cone (Z), and glass cone (AA).
7. Locate LED stud (T) with knobs (U) attached. Remove one knob (U) and retain for later step.
8. Slide stud (T) through glass cone (AA), lens (Y), hole in leather strap, second lens (Y) and glass (X).

**Note:** Be careful not to harm LED boards (V) when assembling.

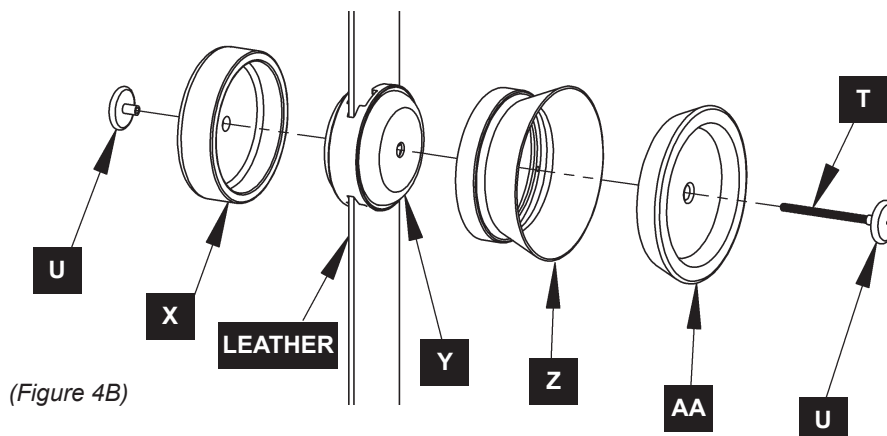
9. Thread knob (U) onto stud (T) and tighten to secure glass (X & AA) around housing (W).

**Note:** Be careful not to overtighten as this could break glass.

10. Restore electricity at main breaker.

**NOTE:** If any LED Boards do not light, remove glass and lenses and check orientation of (+) and (-) sides of board. LED board might need to be rotated on leather strap.

11. Follow steps on next pages for optional mounting methods.

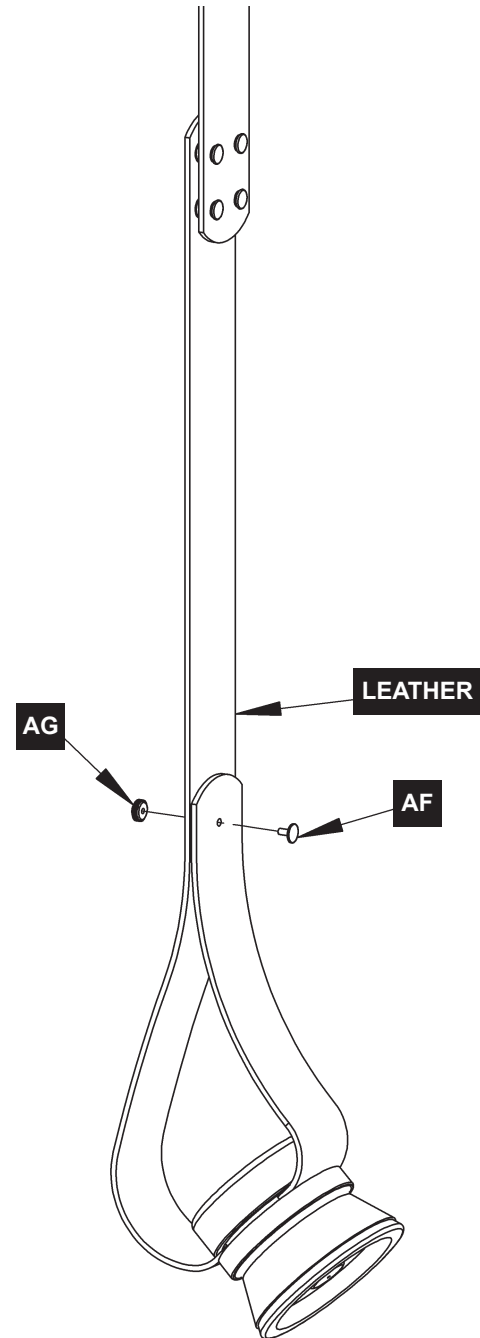


(Figure 4B)

## Snaps Cone Pendant 401848

### To Loop Leather *(Figure 5)*

1. Locate short knurled screw (AF) and cap (AG) found in kit bag.
2. Locate end of leather strap.
3. Carefully pull end up and align with other singular hole in leather strap.
4. Place knurled screw (AF) through both holes in leather strap. Thread cap (AG) onto knurled screw (AF) and tighten to secure.



*(Figure 5)*

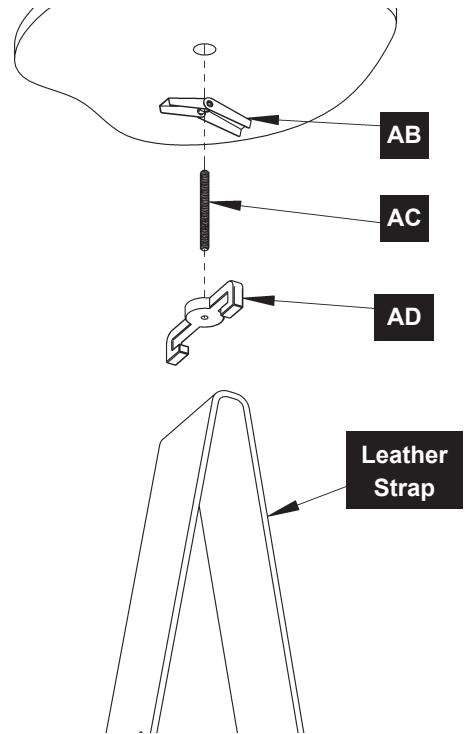


## Snaps Cone Pendant 401848

### Optional Mounting - Leather Hook

#### To Mount in Drywall - (Figure 6)

1. Locate toggle anchor (AB), 2" stud (AC), hook (AD), all found in kit bag.
2. Drill 1/2" hole in ceiling/wall in desired location.
3. Thread toggle (AB) onto 2" stud (AC). Direction critical as toggle (AB) will fold onto stud (AC) when pushing into drywall.
4. Push toggle (AB) through hole until it's able to open. Pull stud (AC) back down until you feel toggle (AB) engage with backside of drywall.
5. Carefully thread hook (AD) onto stud (AC). Adjust length of stud in toggle so that stud doesn't stick through hook as that can scratch the leather.
6. Raise leather strap, gently fold and install into hook (AD).



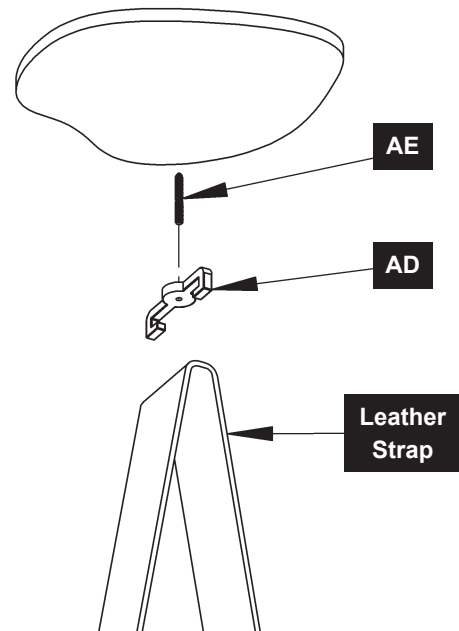
(Figure 6)

#### To Mount in Wood - (Figure 6B)

1. Locate hook (AD) and wood stud (AE), found in kit bag.
2. Jam two nuts (provided in kit bag) together onto wood stud (AE). Thread into wood until only 5/16" of stud is left showing. Remove nuts.

**Note:** Nuts are to help install the stud without marking up threads.

3. Carefully thread hook (AD) onto wood stud (AE) until tight.
4. Raise leather strap, gently fold and install into hook (AD).



(Figure 6B)

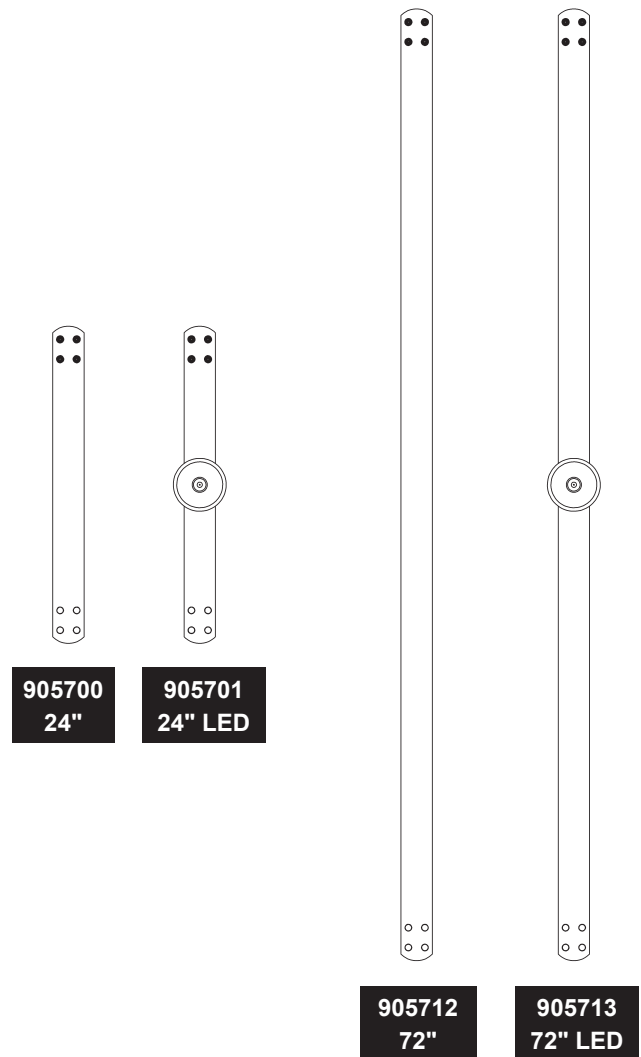
# ASSEMBLY & INSTALLATION INSTRUCTIONS

A1046

Snaps Cone Pendant 401848

## IMPORTANT NOTES:

- Additional leather straps and LED modules can be ordered individually. Contact the dealer from which you purchased this product for more information.
- Due to electrical components included with this fixture, a max of (5) additional LED modules can be added.
- If more than the allowed LED modules are desired, please contact dealer about a custom fixture.
- Leather extension straps without LEDs can also be purchased.



## Product Care & Cleaning:

**Leather:** Leather is a natural product and straps can have variations in color and imperfections in the hides. This leather can be oiled or dyed to enhance the look. For cleaning, wipe entire surface with a soft cloth and cool water to even out any abrasions or stains. Do not spot rub, for it will darken only that area. Occasional use of Aniline Leather Cleaner, Conditioner, & Protector, or Aniline Leather Maintenance Kit is recommended. Other leather cleaners such as saddle soap or household cleaners that may contain harsh chemicals, alcohol, or ink removers should never be used.

**Alabaster:** Use a dry soft cloth or a "feather duster" to remove any dust accumulation. Raw alabaster should not be polished with wax, or cleaned with wet or acidic cleaners.

If you need further assistance, or find that you are missing any parts, please contact the dealer from which you purchased this product. We hope you enjoy your fixture!

*\* Hubbardton Forge will not be liable for injury or damage caused by improper installation, lamping or use of this fixture.*