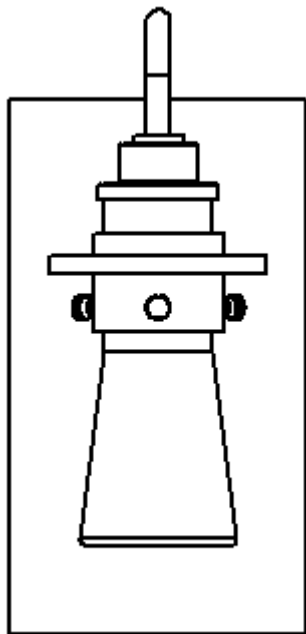


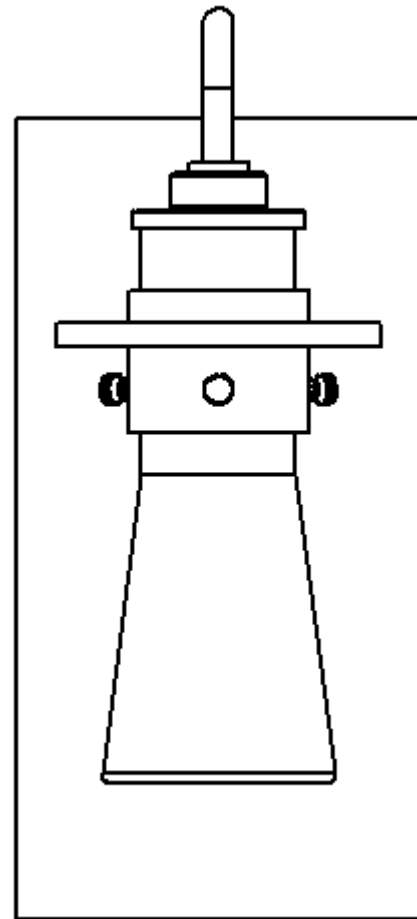
# ASSEMBLY & INSTALLATION INSTRUCTIONS

**B254**

Erlenmeyer Outdoor Sconce 307710 & 307715



307710



307715

**Component Parts**

- A Fixture Assembly**
- B Wall Mount Bracket**
- C Anchor (4)**
- D #10 Screws (4)**
- E #8 Black Screws (4)**
- F Rubber Washer (2)**
- G Green Ground Screw**
- H Cupped Washer**
- I Caulking Lip**
- J Bulb (not included)**
- K Glass**
- L Thumb Screw (3)**



# ASSEMBLY & INSTALLATION INSTRUCTIONS

B254

Erlenmeyer Outdoor Sconce 307710 & 307715

**CAUTION: FAILURE TO INSTALL THIS FIXTURE PROPERLY MAY RESULT IN SERIOUS PERSONAL INJURY OR DEATH AND PROPERTY DAMAGE.** We recommend installation by a licensed electrician. This product must be installed in accordance with applicable installation code(s), by a person familiar with the construction and operation of the product and the hazards involved.\*

**Caution:** Do not exceed maximum wattage noted on fixture. Use only recommended bulbs with fixture.

**Please Note:** This fixture is designed to be mounted on a standard wall surface and may not be suitable for all applications. If installing in a non-wood frame application, we recommend consulting a qualified builder or electrician

**Please Note:** After installation extra hardware and accessories are possible; our kits are used on multiple products.

## To Mount Fixture to Wall (Figures 1 & 2 on next page)

**CAUTION: BE SURE POWER IS OFF AT THE MAIN BREAKER BOX PRIOR TO INSTALLATION.**

1. Carefully unpack the fixture from the carton.
2. Center the wall mount bracket (B) over the electrical box being sure to hold it plum and level. With a pencil, mark the location of all mounting holes in the wall mount bracket on the wall behind.  
**IMPORTANT:** Wall mount bracket must be secured to a solidly mounted electrical box and/or a framing member in at least two locations. Do not depend on drywall anchors alone to support this fixture. If in doubt, contact a qualified electrician. Put the wall mount bracket down and drill 1/4" holes in the locations marked on the wall. For holes using anchors, place the tapered end of the anchors (C) into the holes and gently tap them flush to the wall using a light weight hammer
3. Thread the wires in the electrical box through the center hole in the wall mount bracket while moving the bracket into position. Using the #10 screws (D), screw the bracket securely to the wall. Be careful not to over-tighten or strip the anchors.
4. Hold the fixture assembly (A) close to the wall mount bracket and using suitable wire connectors (not provided), connect fixture wires to supply wires (white to white or ribbed and black to black or smooth). Ground the mounting bracket using the green ground screw (G) and cupped washer (H) to secure a pigtail lead to the bracket and connect all ground wires (bare copper or green to bare copper or green).

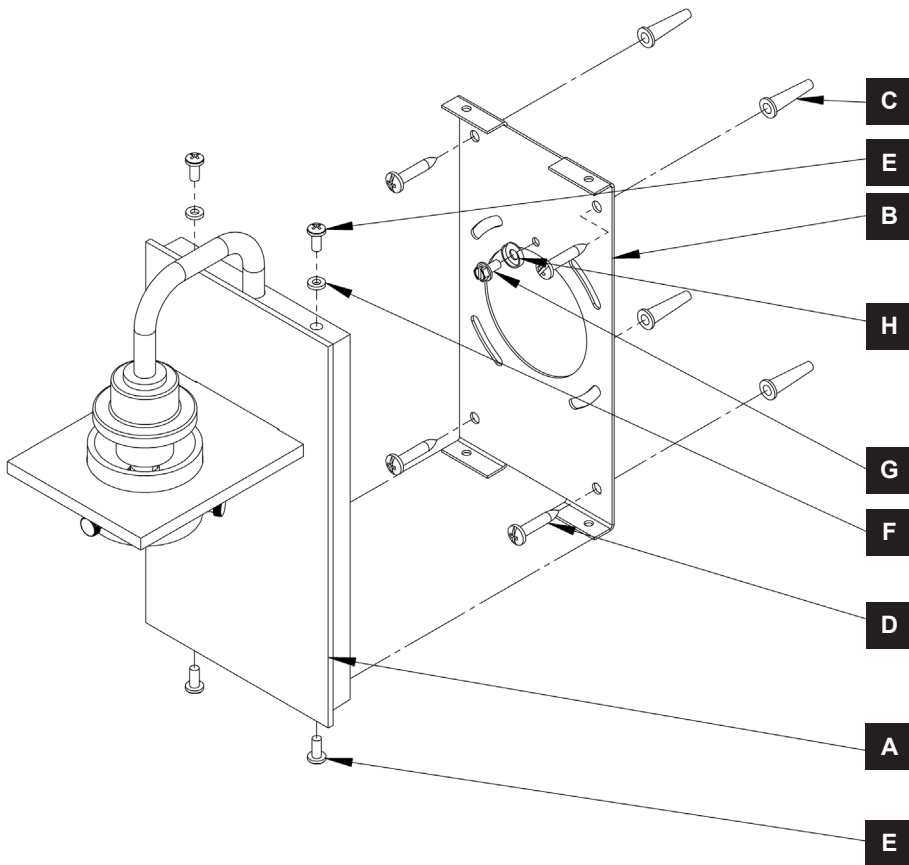
**CAUTION: MAKE SURE WIRE CONNECTORS ARE TWISTED ON SECURELY, AND NO BARE WIRE IS EXPOSED.**

5. Apply a generous bead of a suitable caulking material (not provided) to calking lip (I) on the fixture (Figure 2).
6. Carefully tuck all wires behind the fixture assembly and inside the wall mount bracket and place the fixture firmly onto bracket (B) and fasten with #8 black screw (E) and rubber washer (F) on top.
7. Install 2nd set of black screws (E) in bottom of fixture attaching to wall mounting bracket (B).
8. See instructions on last page to complete installation.

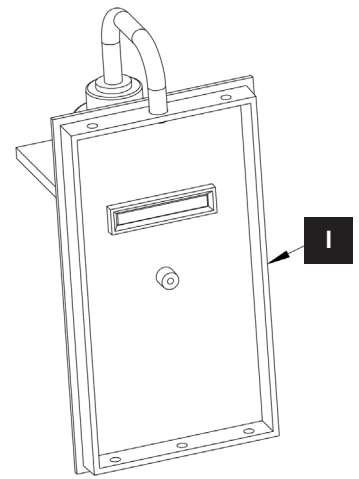
# ASSEMBLY & INSTALLATION INSTRUCTIONS

**B254**

Erlenmeyer Outdoor Sconce 307710 & 307715



(Figure 1)

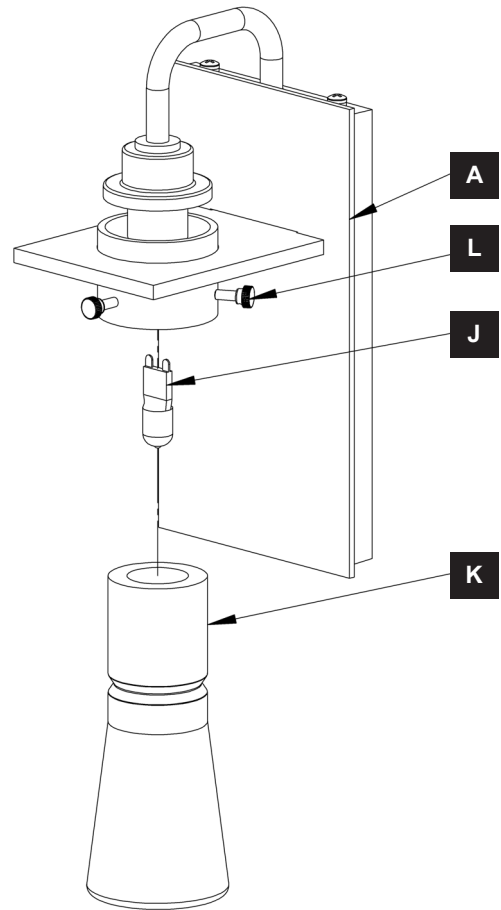


(Figure 2)

Erlenmeyer Outdoor Sconce 307710 & 307715

## To Install Glass (Figure 3)

1. Install bulb (J), (not included). *Be careful not to touch bulb with bare hands; oil from the hands will dramatically reduce bulb life.*
2. Remove the three thumb screws (L) and using the synthetic grease supplied apply to the threads of all screws. **Note: Application of grease to the threads will need to be done each time the screws are unthreaded during bulb maintenance.**
3. Install thumb screws (L). Thread in only a couple of turns.
4. Raise glass (K) until groove is aligned with thumb screws (L).
5. Tighten the three thumb screws (L) equal amounts until snug with glass (K). *Be careful not to over tighten.*
6. Restore electricity at main breaker.



(Figure 3)

If you need further assistance, or find that you are missing any parts, please contact the dealer from which you purchased this product. We hope you enjoy your fixture!

**\* Hubbardton Forge will not be liable for injury or damage caused by improper installation, lamping or use of this fixture.**