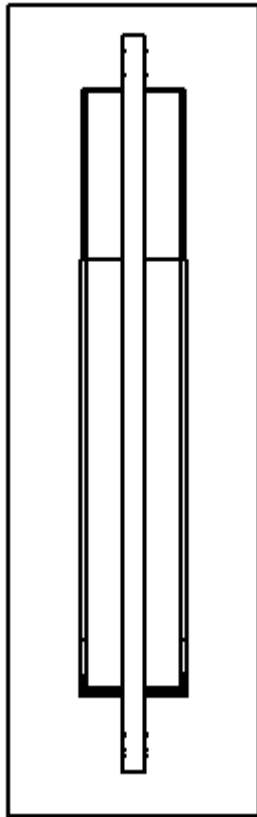


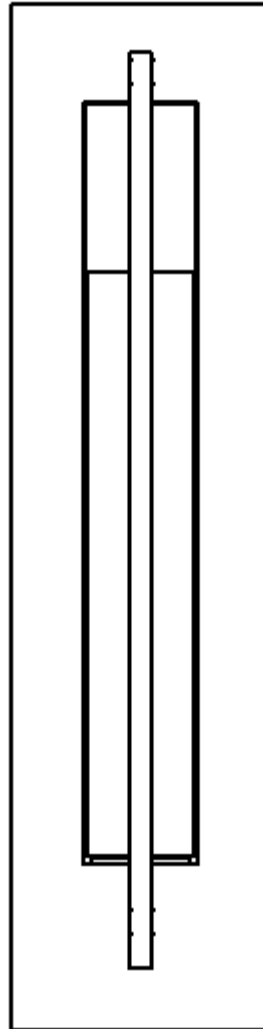
ASSEMBLY & INSTALLATION INSTRUCTIONS

B219

Axis Outdoor Sconce 306401 & 306403



306401



306403



HUBBARDTON FORGE.

MODERN AMERICAN BLACKSMITHS | FINE, HAND CRAFTED LIGHTING
CASTLETON, VERMONT USA | HUBBARDTONFORGE.COM

26360 REV C

1 OF 7

Component Parts

A	Fixture Front
B	Screw
C	Fixture
D	Crossbar
E	#8 Screw (2)
F	Ground Screw (2)
G	Caulking Lip
H	Glass
I	Hex Nut
J	Threaded Stud
K	Glass Bracket
L	Bulb (included)
M	Socket
N	Socket Housing
O	Spring (Used only on 306403)

ASSEMBLY & INSTALLATION INSTRUCTIONS

B219

Axis Outdoor Sconce 306401 & 306403

CAUTION: FAILURE TO INSTALL THIS FIXTURE PROPERLY MAY RESULT IN SERIOUS PERSONAL INJURY OR DEATH AND PROPERTY DAMAGE. We recommend installation by a licensed electrician. This product must be installed in accordance with applicable installation code(s), by a person familiar with the construction and operation of the product and the hazards involved.*

Caution: Do not exceed maximum wattage noted on fixture. Use only recommended bulbs with fixture.

Please Note: This fixture is designed to be mounted on a standard wall surface and may not be suitable for all applications. If installing in a non-wood frame application, we recommend consulting a qualified builder or electrician

Please Note: After installation extra hardware and accessories are possible due to our kits are used on multiple products and options.

Install Fixture (Figures 1 thru 3- on following page)

CAUTION: BE SURE POWER IS OFF AT THE MAIN BREAKER BOX PRIOR TO INSTALLATION.

1. Carefully unpack the fixture from the carton.
2. Loosen the screw (B) in the bottom of the fixture (C) until the fixture front (A) will come loose from the fixture back. Move the fixture front (A) towards the top of the fixture (C) to remove (Figure 1).
3. Using two machine screws (not provided) attach crossbar (D) to the electric box using inside oval holes to orient fixture. **Note:** A new electric box comes with screws. When replacing a fixture, retain the screws for use with the new fixture.
4. Using suitable wire connectors (not provided), connect the fixture wires to the supply wires, (white to white, black to black). Run a pigtail lead from crossbar ground screw (F) to the junction box and connect all ground wires (bare copper or green to bare copper or green).

CAUTION: INSTALLER MUST ENSURE THAT THE MOUNTING METHOD IS CAPABLE OF SUPPORTING THE WEIGHT OF THE FIXTURE.

5. Apply a generous bead of a suitable caulking material to caulking lip (G) on the fixture.
6. Carefully tuck all wires behind the fixture, place fixture firmly against the wall and fasten with two #8 screws (E). To ensure a water tight seal, apply a thin bead of caulking around entire perimeter of the fixture
7. Continue with installation instructions following to assemble fixture front and glass.

Caution: Be sure no wires are pinched between the cover plate (B) and the canopy (A).



HUBBARDTON FORGE.

MODERN AMERICAN BLACKSMITHS | FINE, HAND CRAFTED LIGHTING
CASTLETON, VERMONT USA | HUBBARDTONFORGE.COM

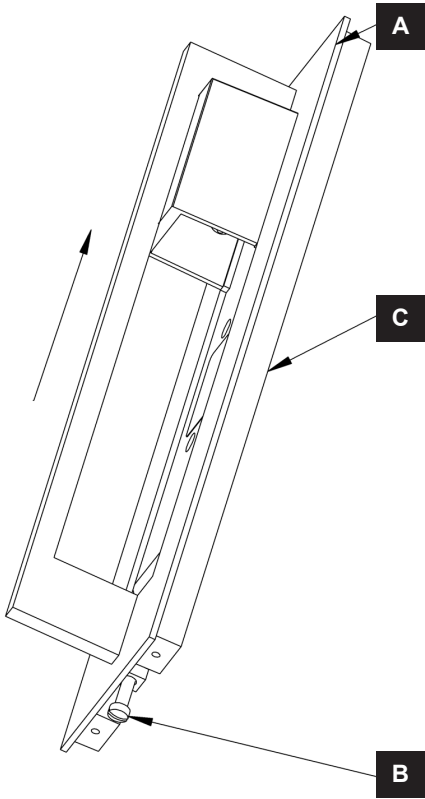
26360 REV C

3 OF 7

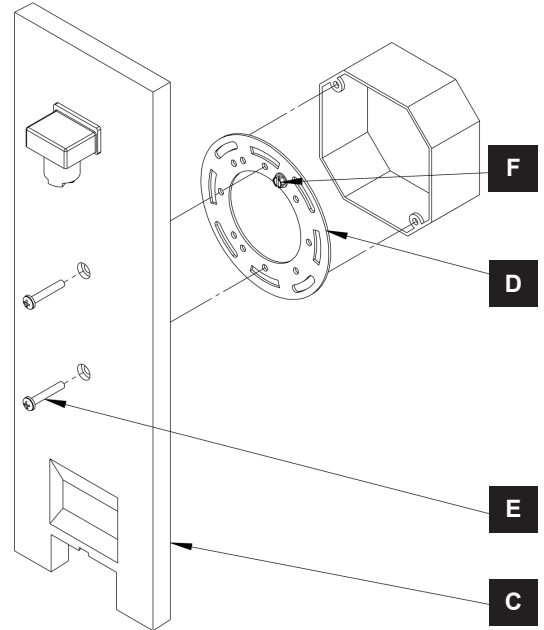
ASSEMBLY & INSTALLATION INSTRUCTIONS

B219

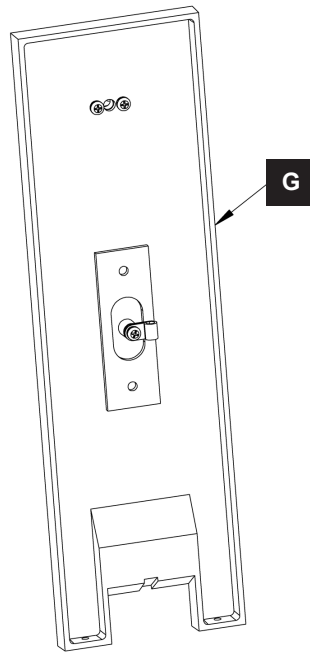
Axis Outdoor Sconce 306401 & 306403



(Figure 1)



(Figure 2)



(Figure 3)



HUBBARDTON FORGE.

MODERN AMERICAN BLACKSMITHS | FINE, HAND CRAFTED LIGHTING
CASTLETON, VERMONT USA | HUBBARDTONFORGE.COM

26360 REV C

4 OF 7

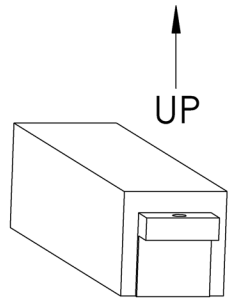
ASSEMBLY & INSTALLATION INSTRUCTIONS

B219

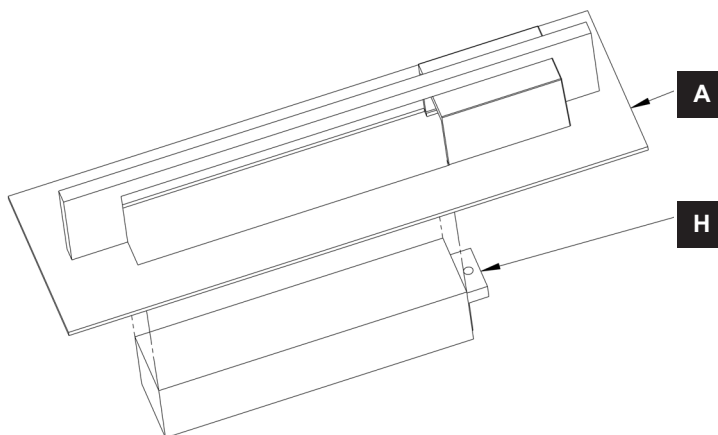
Axis Outdoor Sconce 306401 & 306403

To Assemble Fixture Front and Glass (Figures 4 & 5 this page, 6 & 7 on following page)

1. Place glass (H) on flat clean surface oriented as shown in Figure 4.
2. Place fixture front (A) over glass (H) (Figure 5).
3. Holding fixture front (A) and glass (H) securely rotate them both over so fixture front (A) rests on flat surface.
4. Remove hex nut (I) from threaded stud (J).
5. Slide glass (H) up towards the top of the fixture.
6. Install spring (O) at the top of the glass (H). Push spring inside of fixture until it rests against the top ledge of glass (H). **See Figure 6A. Note: This is used on product 306403 only**
7. Slip glass bracket (K) on to threaded stud (J). See Figure 7 for orientation.
8. Thread hex nut (I) onto threaded stud (J) and tighten until snug. *Be careful not to over tighten.*
9. Continue with installation instructions following to install fixture front.



(Figure 4)



(Figure 5)



HUBBARDTON FORGE.

MODERN AMERICAN BLACKSMITHS | FINE, HAND CRAFTED LIGHTING
CASTLETON, VERMONT USA | HUBBARDTONFORGE.COM

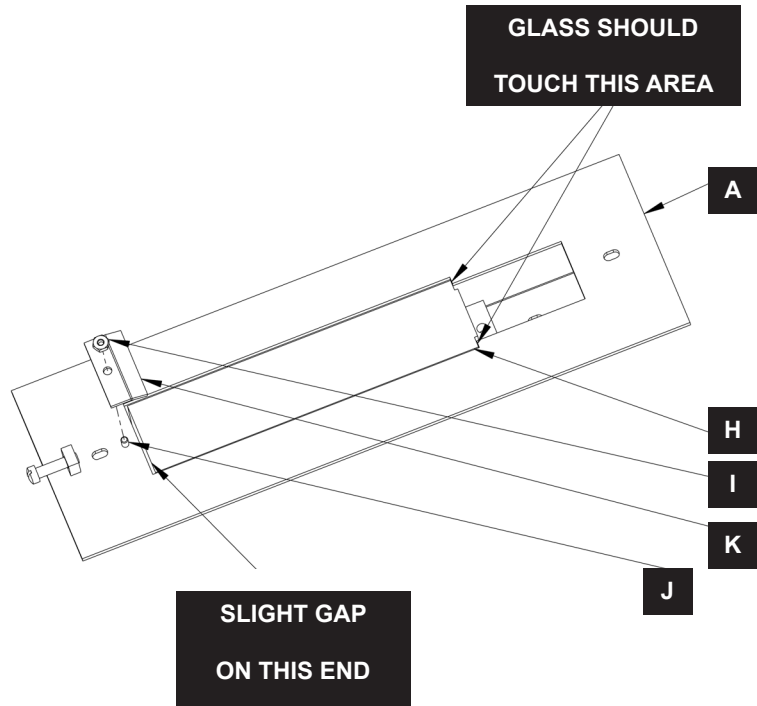
26360 REV C

5 OF 7

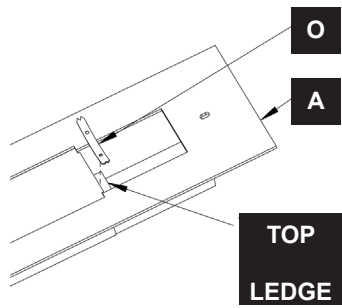
ASSEMBLY & INSTALLATION INSTRUCTIONS

B219

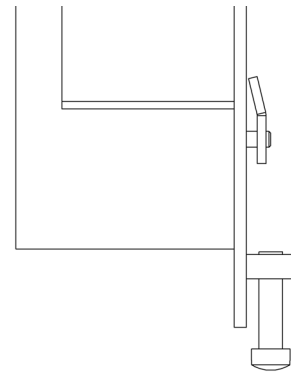
Axis Outdoor Sconce 306401 & 306403



(Figure 6)



(Figure 6A)



(Figure 7)



HUBBARDTON FORGE.

MODERN AMERICAN BLACKSMITHS | FINE, HAND CRAFTED LIGHTING
CASTLETON, VERMONT USA | HUBBARDTONFORGE.COM

26360 REV C

6 OF 7

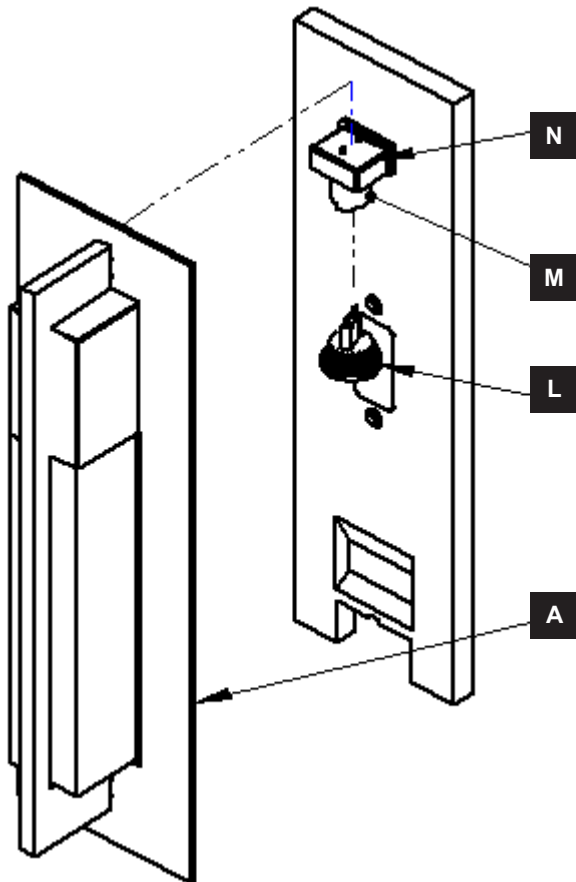
ASSEMBLY & INSTALLATION INSTRUCTIONS

B219

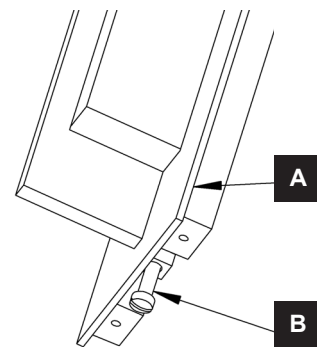
Axis Outdoor Sconce 306401 & 306403

To Install Fixture Front (Figures 8 & 9)

1. Install light bulb (L), (included) into socket (M). *Be careful not to touch bulb with bare hands; oil from the hands will dramatically reduce bulb life.*
2. Slip fixture front (A) onto socket housing (N).
3. Tighten screw (B) to lock fixture front (A) in place. *Be careful not to over tighten (Figure 9). Note: Application of grease to the threads will need to be done each time the screws are unthreaded during bulb maintenance*
4. Restore electricity at the main breaker.



(Figure 8)



(Figure 9)

If you need further assistance, or find that you are missing any parts, please contact the dealer from which you purchased this product. We hope you enjoy your fixture!

*** Hubbardton Forge will not be liable for injury or damage caused by improper installation, lamping or use of this fixture.**