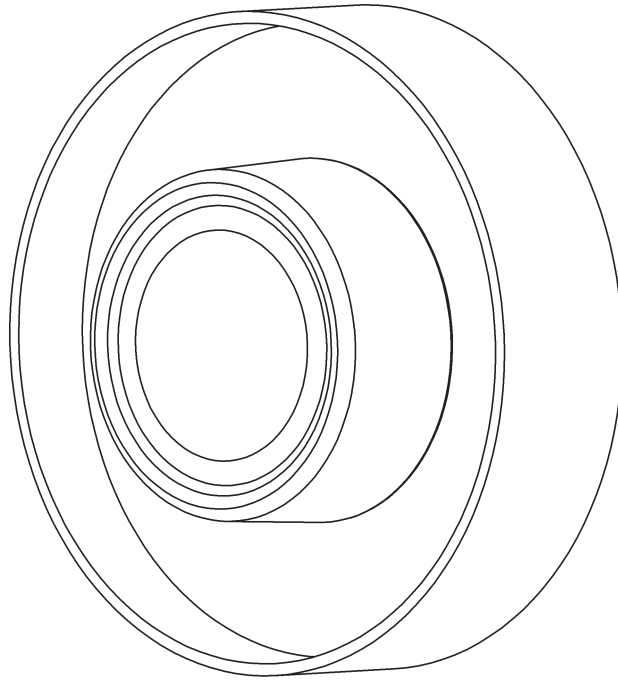


ASSEMBLY & INSTALLATION INSTRUCTIONS

B571

Large Focal 201085



Component Parts

- A Fixture**
- B LED Puck**
- C Philip Screws (4)**
- D Washers (4)**
- E Front plate**
- F Threaded ring**
- G Glass**

Large Focal 201085

CAUTION: FAILURE TO INSTALL THIS FIXTURE PROPERLY MAY RESULT IN SERIOUS PERSONAL INJURY OR DEATH AND PROPERTY DAMAGE. We recommend installation by a licensed electrician. This product must be installed in accordance with applicable installation code(s), by a person familiar with the construction and operation of the product and the hazards involved.*

Caution: Do not exceed maximum wattage noted on fixture. Use only recommended bulbs with fixture.
Please Note: After installation extra hardware and accessories are possible; our kits are used on multiple products.

To Install Fixture (Figures 1-2 on next page)

CAUTION: BE SURE POWER IS OFF AT THE MAIN BREAKER BOX PRIOR TO INSTALLATION.

1. Carefully unpack fixture from carton.
2. Remove phillips screws (C) and washers (D) from LED puck (B) and set aside for later. (Figure 1)
3. Using two machine screws (not provided) fasten fixture to electric box. (Figure 2)

NOTE: A NEW ELECTRIC BOX COMES WITH SCREWS. WHEN REPLACING A FIXTURE, RETAIN THE EXISTING SCREWS FOR USE WITH THE NEW FIXTURE.

CAUTION: BE SURE NO WIRES ARE PINCHED BETWEEN THE WALL AND FIXTURE.

4. Hold LED puck (B) close to electric box. Using suitable wire connectors (not provided) connect LED wires to supply wires (white to white and black to black). Connect all ground wires (bare copper or green to bare copper or green).

CAUTION: MAKE SURE WIRE CONNECTORS ARE TWISTED ON SECURELY, AND NO BARE WIRE IS EXPOSED.

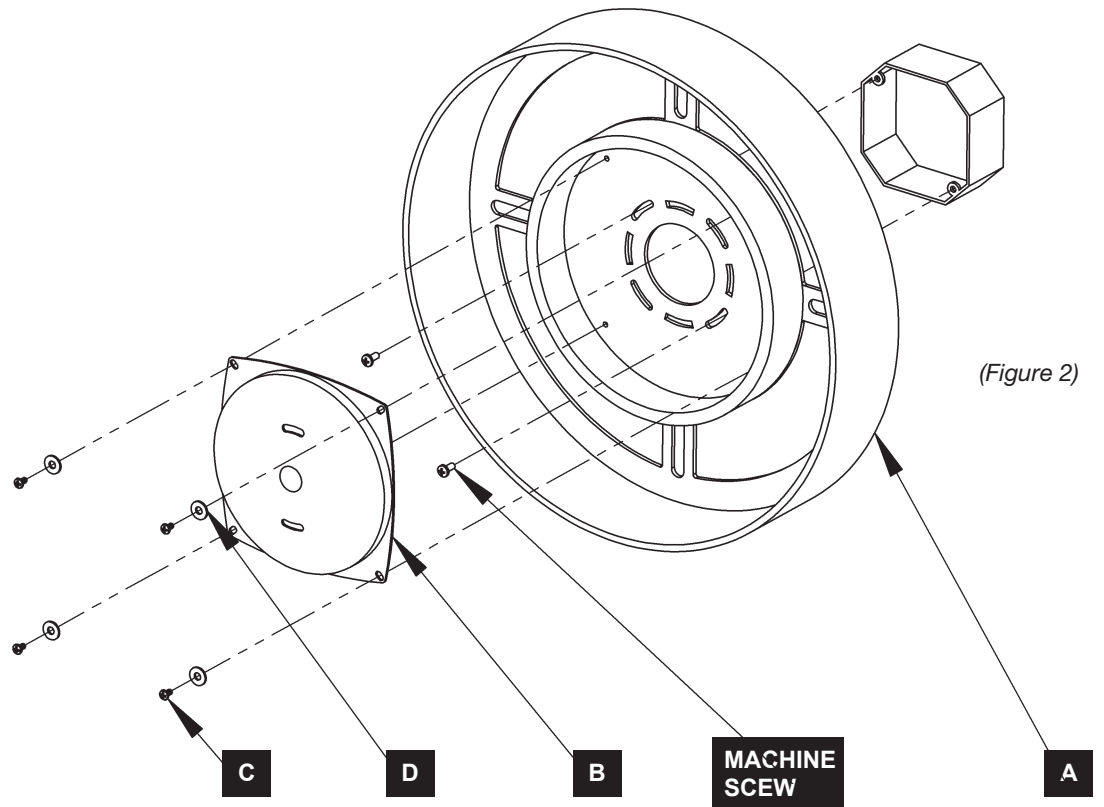
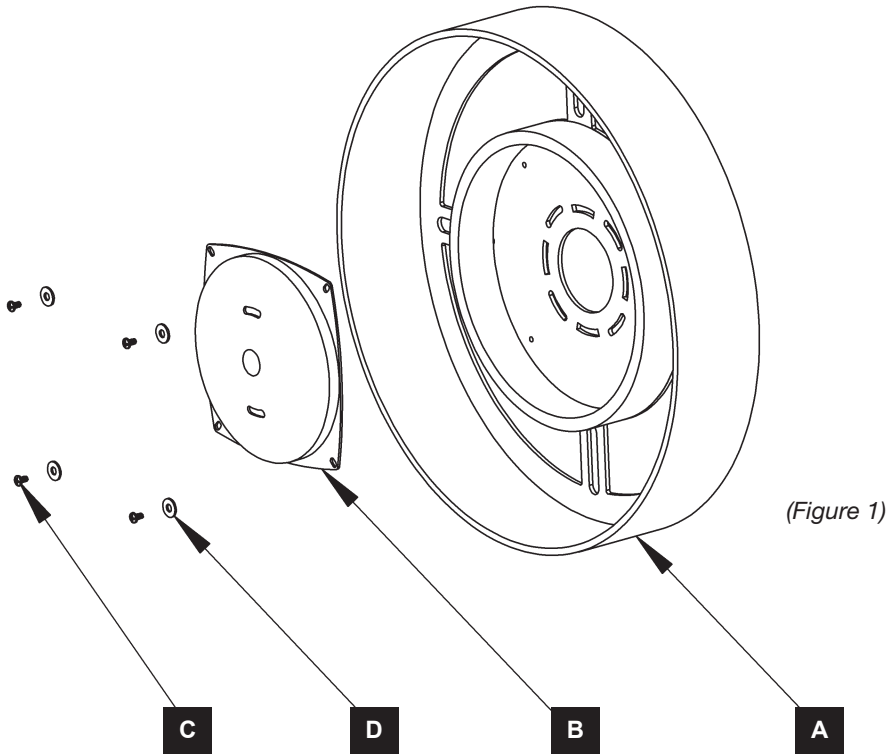
5. Line up holes in LED puck (B) with holes on fixture (A). Secure LED puck (B) to fixture (A) by using phillips screws (C) and washers (D).



ASSEMBLY & INSTALLATION INSTRUCTIONS

B571

Large Focal 201085



ASSEMBLY & INSTALLATION INSTRUCTIONS

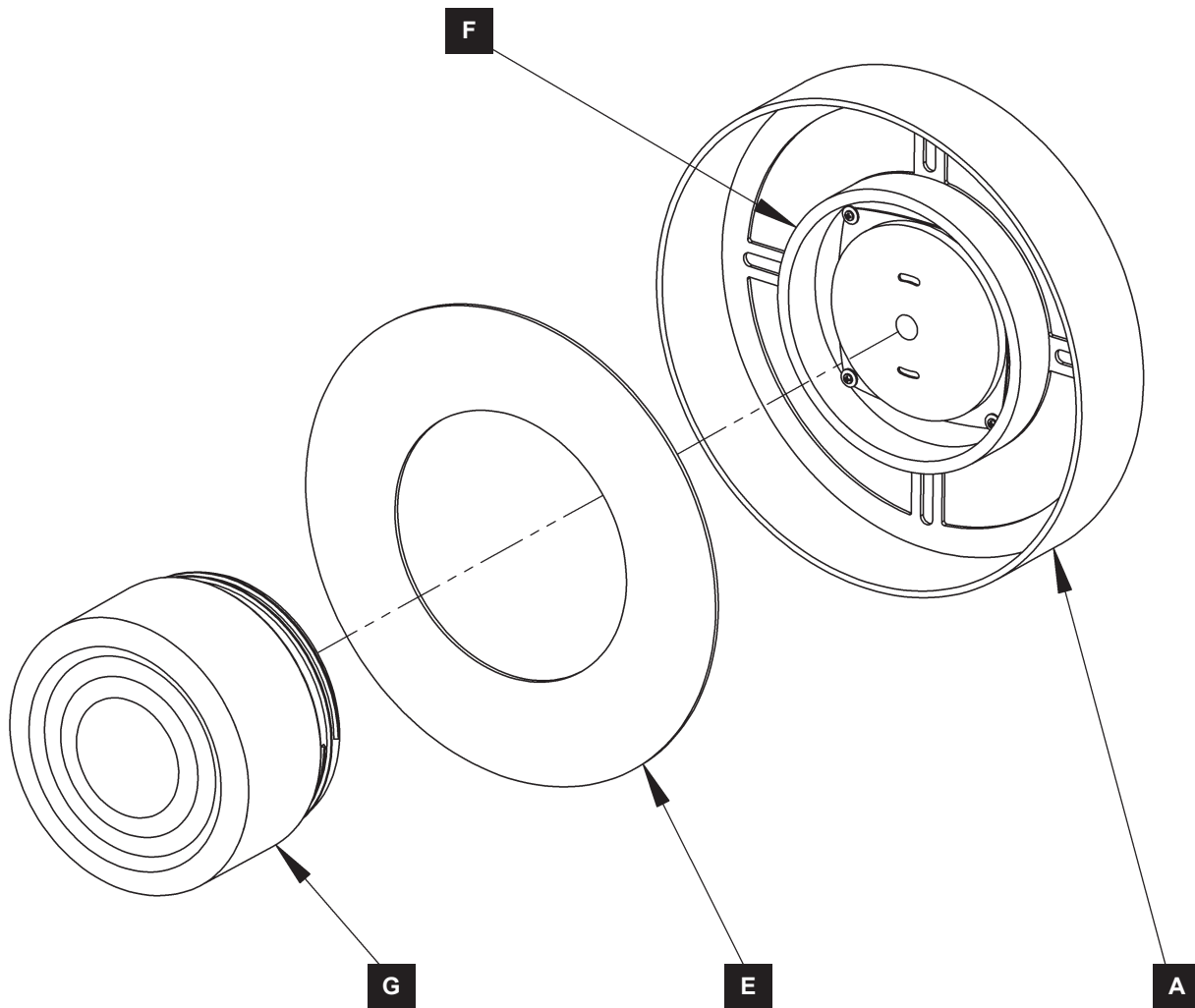
B571

Large Focal 201085

To Install Glass (Figure 3)

1. Place and hold front plate (E) inside fixture (A) until flush to threaded ring (F).
2. Thread glass (G) through front plate (E) and into threaded ring (F) until tight (Do not over-tighten or glass will break).
3. Restore electricity at main breaker.

CAUTION: FRONT PLATE IS ONLY HELD ON BY GLASS. MAKE SURE TO HOLD FRONT PLATE IN POSITION WHILE REMOVING GLASS..



(Figure 3)

If you need further assistance, or find that you are missing any parts, please contact the dealer from which you purchased this product. We hope you enjoy your fixture!

*** Hubbardton Forge will not be liable for injury or damage caused by improper installation, lamping or use of this fixture.**

HF HUBBARDTON FORGE.